



Made in the U.S.A.

www.ktoolinc.com

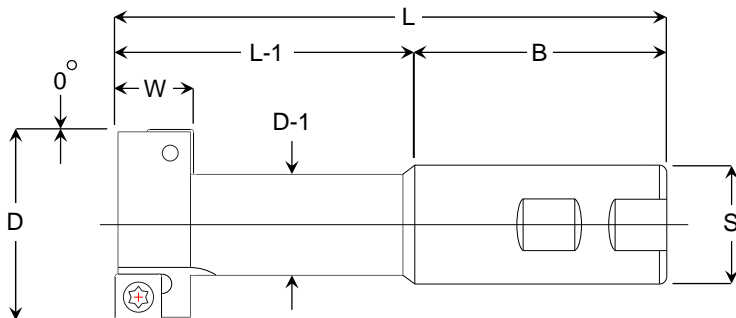
E-Mail: info@ktoolinc.com

Phone#: 800-377-3056

Fax #: 717-624-4105

T-Slot Cutter Special Tool Request Form

QUICKEST DELIVERY TIME IN THE INDUSTRY

<h3 style="margin: 0;">T-SLOT CUTTER</h3> 	<table border="1" style="width: 100%; border-collapse: collapse;"> <tr><td style="text-align: center;">D</td><td style="width: 100px;"></td></tr> <tr><td style="text-align: center;">W</td><td></td></tr> <tr><td style="text-align: center;">L</td><td></td></tr> <tr><td style="text-align: center;">L-1</td><td></td></tr> <tr><td style="text-align: center;">B</td><td></td></tr> <tr><td style="text-align: center;">D-1</td><td></td></tr> <tr><td style="text-align: center;">S</td><td></td></tr> <tr> <td colspan="2" style="text-align: right;">Coolant Thru: <input type="checkbox"/> Yes / <input type="checkbox"/> No </td> </tr> </table>	D		W		L		L-1		B		D-1		S		Coolant Thru: <input type="checkbox"/> Yes / <input type="checkbox"/> No	
D																	
W																	
L																	
L-1																	
B																	
D-1																	
S																	
Coolant Thru: <input type="checkbox"/> Yes / <input type="checkbox"/> No																	
Shank Type: <input type="checkbox"/> Weldon Flat / <input type="checkbox"/> Straight Flat / <input type="checkbox"/> No Flat																	

ALL SPECIAL TOOLING WILL BE MADE WITH K-TOOL, INC. INSERTS

Distributor Contact Information	End User Contact Information
Distributor Name	Company Name
Contact Person	Contact Person
Email	Email
Phone #	Phone #
Fax #	Fax #

Application Information	
Mill or Lathe	
Spindle Taper	
Horsepower	
Work Piece Material	
Work Piece Hardness	

Additional Information

www.ktoolinc.com
 E-Mail: info@ktoolinc.com
 Phone#: 800-377-3056
 Fax #: 717-624-4105



K-Tool, Inc.
 99 Enterprise Drive
 New Oxford Pa, 17350
 www.ktoolinc.com