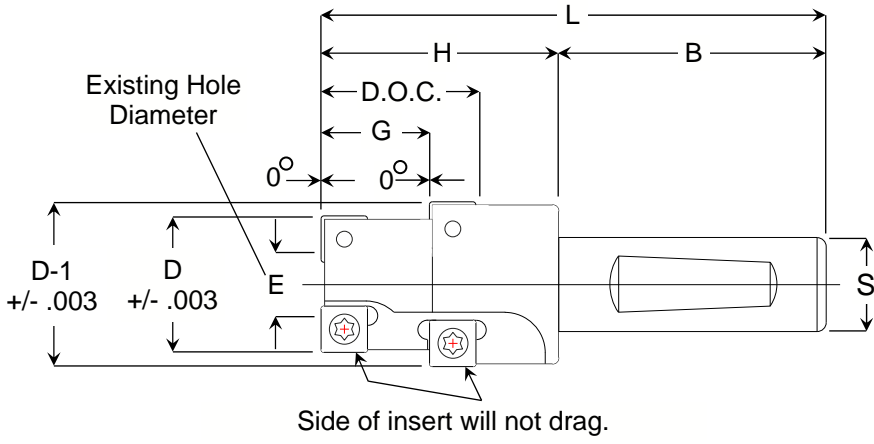


Dual C-Bore Tool Special Tool Request Form

QUICKEST DELIVERY TIME IN THE INDUSTRY

<p>DUAL C-BORE TOOL C-Bore tools will be made with 2 flutes.</p> 	D-1	
	D	
	E	
	L	
	H	
	B	
	D.O.C.	
	G	
S		
<p>Shank Type: <input type="checkbox"/> Weldon Flat / <input type="checkbox"/> Tapered Flat / <input type="checkbox"/> Straight Flat / <input type="checkbox"/> No Flat</p>		<p>Coolant Thru: <input type="checkbox"/> Yes / <input type="checkbox"/> No</p>

ALL SPECIAL TOOLING WILL BE MADE WITH K-TOOL, INC. INSERTS

Distributor Contact Information		End User Contact Information	
Distributor Name		Company Name	
Contact Person		Contact Person	
Email		Email	
Phone #		Phone #	
Fax #		Fax #	

Application Information	
Mill or Lathe	
Spindle Taper	
Horsepower	
Work Piece Material	
Work Piece Hardness	

Additional Information	