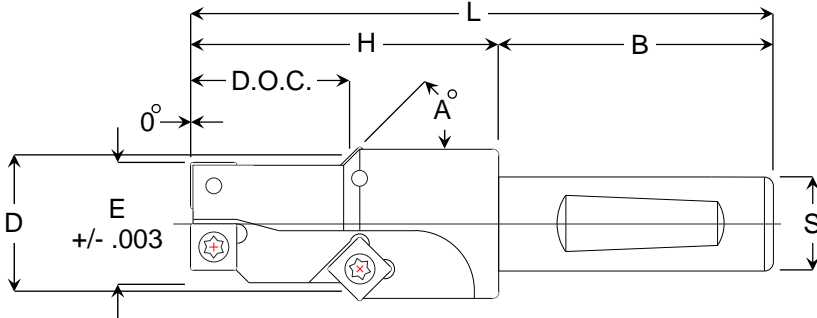


## Drill & Chamfer Tool Special Tool Request Form

**QUICKEST DELIVERY TIME IN THE INDUSTRY**

<p align="center"><b>DRILL &amp; CHAMFER TOOL</b></p> 	D	
	E	
	L	
	H	
	B	
	D.O.C.	
	A°	
S		
<p align="center">Shank Type:</p> <input type="checkbox"/> Weldon Flat / <input type="checkbox"/> Tapered Flat / <input type="checkbox"/> Straight Flat / <input type="checkbox"/> No Flat		<p align="center">Coolant Thru:</p> <input type="checkbox"/> Yes / <input type="checkbox"/> No

ALL SPECIAL TOOLING WILL BE MADE WITH K-TOOL, INC. INSERTS

Tool Style: Choose One

DS Style



CB Style



FB Style



Existing Hole Dia. =

Distributor Contact Information	
Distributor Name	
Contact Person	
Email	
Phone #	
Fax #	

End User Contact Information	
Company Name	
Contact Person	
Email	
Phone #	
Fax #	

Application Information	
Mill or Lathe	
Spindle Taper	
Horsepower	
Work Piece Material	
Work Piece Hardness	

Additional Information	