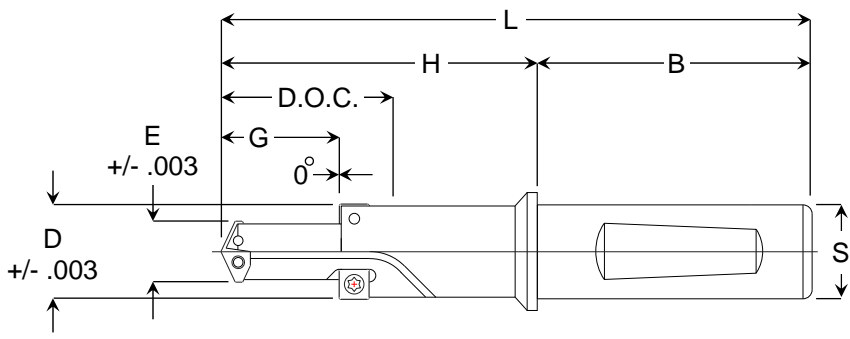


Drill & C-Bore Tool Special Tool Request Form

QUICKEST DELIVERY TIME IN THE INDUSTRY

<h3>DRILL & C-BORE TOOL</h3> 	D	
	E	
	L	
	H	
	B	
	D.O.C.	
	G	
	S	
Shank Type: <input type="checkbox"/> Weldon Flat / <input type="checkbox"/> Tapered Flat / <input type="checkbox"/> Straight Flat / <input type="checkbox"/> No Flat		Coolant Thru: <input type="checkbox"/> Yes / <input type="checkbox"/> No

ALL SPECIAL TOOLING WILL BE MADE WITH K-TOOL, INC. INSERTS

Tool Style: Choose One

DS Style



FB Style



Distributor Contact Information	
Distributor Name	
Contact Person	
Email	
Phone #	
Fax #	

End User Contact Information	
Company Name	
Contact Person	
Email	
Phone #	
Fax #	

Application Information	
Mill or Lathe	
Spindle Taper	
Horsepower	
Work Piece Material	
Work Piece Hardness	

Additional Information